



WARO INTENSITY ACCELERATOR PEDAL

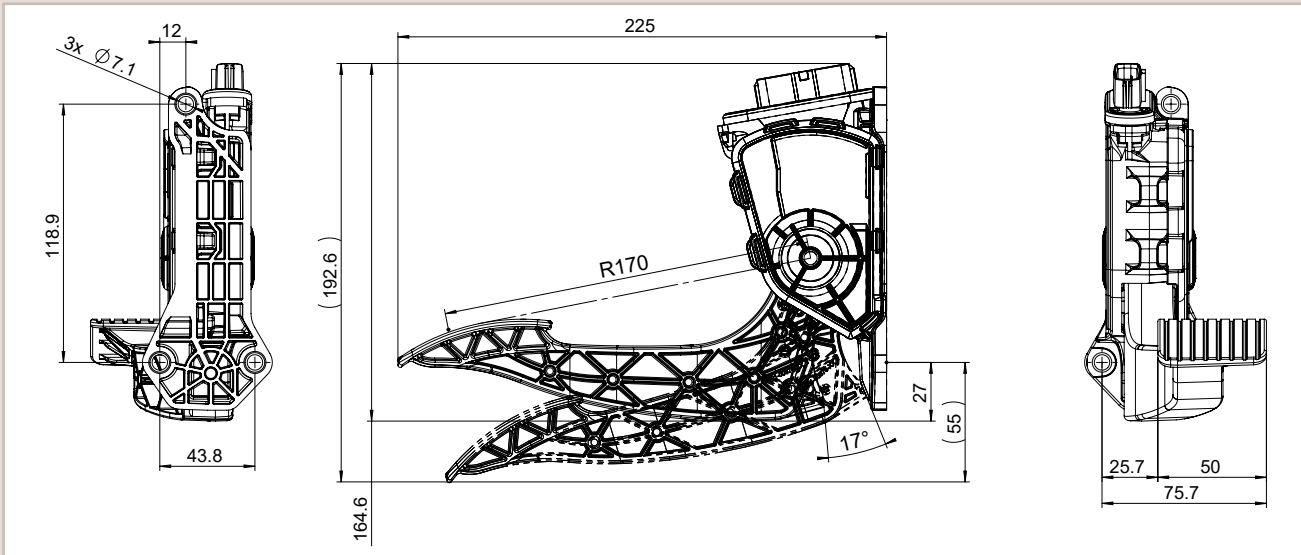
The WARO INTENSITY accelerator pedal was designed for a wide range of vehicles, particularly in the fields of agricultural and construction machinery. The sensor and the electronics are located in a sealed housing and are thus completely protected against water and dust. This allows it to be used in applications that are subject to especially tough ambient conditions, for example in mobile machinery, cranes and excavators.

Furthermore, the simple attachment of the wall-mounted pedal by means of three bolting positions allows it to be installed in the vehicle quickly and straightforwardly.

- Contactless via inductive sensor
- Redundant output signal
- Protection class IP 6K9K, plugged connector
- Mechanical angle of rotation 17° and 20° possible
- Available in different colors
- Wall-mounted design



Dimensions [mm]



Technical data

Technology	Contactless via inductive sensor
------------	----------------------------------

Mechanical data

Mechanical angle of rotation	17° or 20° ±1.2°
Dimensions	See drawing
Mating connector	YAZAKI 7283-1968-30 6 Pin

Electrical data

Nominal operating voltage	5 V ±6%
Power current	Max. 10mA each channel
Overvoltage resistance	16 V
Output signal	Characteristic curve, see on the right 2 x analogue ratiometric Output signal synchronism tolerance: max 3%

Operating conditions

Operating temperature	-40°C to +85°C
Storage temperature	-40°C to +85°C
Initial force	24 N
Maximum force	~ 42 N
Protection class	IP 6K9K, plugged connector

Connector pin assignment

PIN 1	5 V supply: Sensor 1
PIN 2	Analogue signal: Sensor 1
PIN 3	GND: Sensor 1
PIN 4	GND: Sensor 2
PIN 5	Analogue signal: Sensor 2
PIN 6	5 V supply: Sensor 2

Output signal

