

## STIPO TRACTION SWITCH

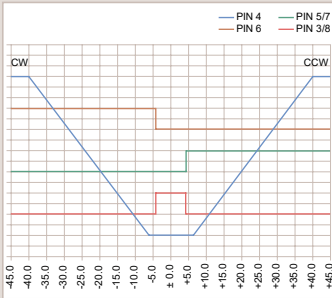
Thanks to its small outside diameter measuring just 30 mm, the STIPO traction switch is particularly suitable for installation in pipes or housings with limited installation space. Despite its compact dimensions, a complete microcontroller system and Hall sensor system are integrated into the housing. The dual-redundancy sensors offer the highest degree of safety. To protect the Hall sensors against external magnetic fields, the housing incorporates a solid steel core.

Depending on the particular variant, the traction switch provides one or two analogue signals, two digital direction signals and a digital zero-position signal.

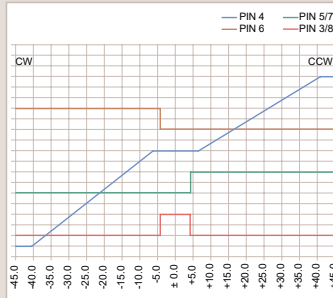
- Non-contacting Hall sensors
- Digital outputs for direction and zero-position signals
- Active-high and active-low logic available
- One/ two analogue outputs for travel speed
- Different characteristics available (V-, Z-, or X-characteristics)
- Suitable for safety-related applications according to EN ISO 13849
- Small diameter: 30 mm
- Protection class: IP 54 (front)
- Various butterfly knobs available
- EMI/EMC according to DIN 12895



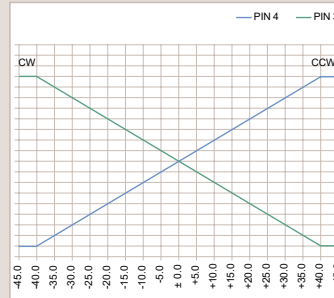
### Characteristic single-ended



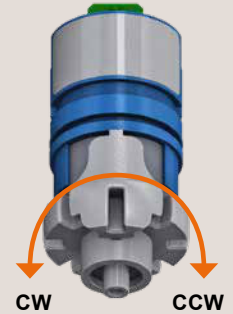
### Characteristic wig-wag



### X-characteristic



### Direction of rotation



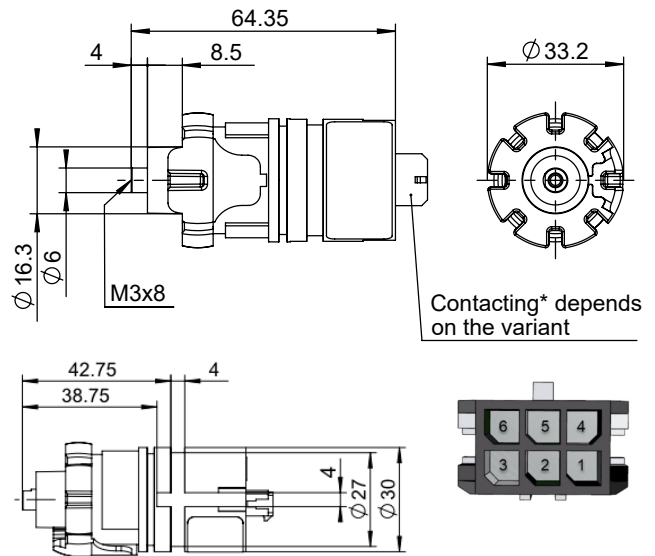
### Technical data

#### Operating conditions

Operating voltage	+10.5 VDC to +32.0 VDC
Power consumption	max. 25 mA
Output voltage	see separate user manual
Output current	max. 5 mA
Digital signals	max. 32 V / 20 mA
Mechanical rotation angle	45° each direction (± 1.5° tolerance)
Electrical rotation angle	41.5° each direction (± 1.5° tolerance)
Operating temperature	-28°C to +65°C
Protection class	IP 54 (except connector)
Life time	4,000,000 cycles

\*No lateral forces may act on the upper circuit board. An external force on the cable or connector may only be applied shortly and with a maximum of 2N.

### Dimensions [mm]



### Different kinds of traction switches

Accelerator	3203-20700-01	3203-20700-02	3203-20800-01	3203-20800-02	3203-20800-05	3203-20800-06	3203-20900-00
Charact. curve	Wig-wag	Single-ended	Wig-wag	Single-ended	Single-ended	Wig-wag	X-characteristic
Digital signal	active-low Open collector	active-low Open collector	active-high	active-high	active-high	active-high	-
Connector	Molex 90327-3308	Molex 90327-3308	Molex 90327-3308	Molex 90327-3308	Molex-Micro-Fit Select Gold	Molex-Micro-Fit Select Gold	Molex-Micro-Fit Select Gold
Operating voltage	+24 VDC	+24 VDC	+24 VDC	+24 VDC	+24 VDC	+24 VDC	+24 VDC
PIN 1	-	-	-	-	+UB	+UB	+UB
PIN 2	+UB	+UB	+UB	+UB	GND	GND	GND
PIN 3	-	-	-	-	Digital zero- position signal	Digital zero- position signal	Analogue 2 out 4.5 V – 0.5 V (CCW)
PIN 4	Analogue out 0.5 V – 4.5 V	Analogue out 0.5 V – 4.5 V	Analogue out 0.5 V – 4.5 V	Analogue out 0.5 V – 4.5 V	Analogue out 0.5 V – 4.5 V	Analogue out 0.5 V – 4.5 V	Analogue 1 out 0.5 V – 4.5 V (CCW)
PIN 5	GND	GND	GND	GND	Digital signal CCW	Digital signal CCW	-
PIN 6	Digital signal CW	Digital signal CW	Digital signal CW	Digital signal CW	Digital signal CW	Digital signal CW	-
PIN 7	Digital signal CCW	Digital signal CCW	Digital signal CCW	Digital signal CCW	-	-	-
PIN 8	Digital zero- position signal	Digital zero- position signal	Digital zero- position signal	Digital zero- position signal	-	-	-