

T SWITCH RANGE

For the T range of switches great store was set by the optical appearance and an appealing design. Intuitive use and a long service life are two of the main features of this range of switches. There is a selection of pushbuttons, momentary rocker switches, momentary toggle switches as well as latched rocker switches with concave actuators. The technical characteristics with regard to safety, operating temperature and service life are the most important factors for the application.

By selecting between different contact materials, the switching elements can be adapted to the switching currents and voltages.

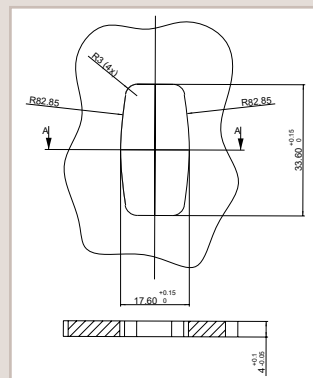
Besides being used in a number of Frei's own system components, the T range of switches is predestined for the realisation of customer-specific applications such as control units.

- Pushbuttons, rocker switches, toggle switches, latched rocker switches
- Excellent haptic properties
- Various colours available
- Abrasion-resistant laser inscription
- In some cases different contact materials are available
- Operating temperature: -40°C to +85°C
- Protection class: IP 67 (front)

Symbols

- Frei standard symbols are available for the function elements
- On request, customer-specific symbols can be used
- The symbols are provided in .dxf format
- The symbols are laser etched and therefore abrasion resistant

Mounting hole [mm]



Technical data AUX contact material

Standard for pushbuttons/rocker switches

Contact	Microswitch N/O contact (2/4-pos.)
Contact material	Gold alloy on silver palladium
Min. load/service life	2 V/200 µA/3 million cycles
Max. load/service life	30 V/1A/50,000 cycles
Protection class according to DIN 40050	IP 67 (excluding connectors)
Operating temperature	-40°C to +85°C

Technical data GP contact material

Standard for latched rocker switch

Contact	Microswitch inverter (3-pos.)
Contact material	Finegrain silver plated
Min. load/service life	0 V/0 mA/3 million cycles
Max. load/service life	12 V/0.1 A/100,000 cycles
Fail-safe characteristic for the silver coating under the gold coating:	
Min. load/service life	12 V/10 mA/3 million cycles
Max. load/service life	30 V/5 A/50,000 cycles
Service life max./min.	3 million cycles/50,000 cycles
Protection class according to DIN 40050	IP 67 (excluding connectors)
Operating temperature	-40°C – +85°C
Cable colours	Black / Blue / Grey

Technical data AG contact material

Standard for horn

Contact	Microswitch N/O contact (2-pos.)
Contact material	Finegrain silver
Min. load/service life	12 V/10 mA/3 million cycles
Max. load/service life	30 V/5 A/50,000 cycles
Protection class according to DIN 40050	IP 67 (excluding connectors)
Operating temperature	-40°C to +85°C
Cable colours	Red / Yellow

Technical data Standard connector

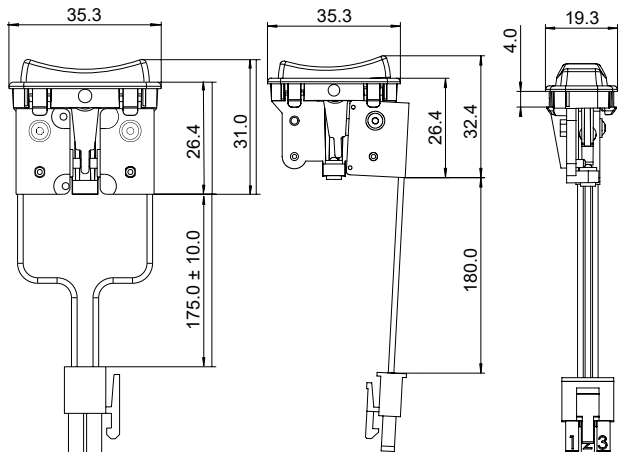
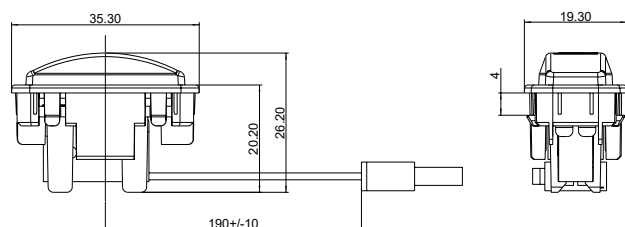
Molex Mini-Fit Jr.™

Pushbutton	5557-NRX 2-pole
Rocker switch	5557-NRX 4-pole (2-row)
Latched rocker switch	5557-NRX 3-pole

Special contacts on request

Gebrüder Frei GmbH & Co.KG 72461 Albstadt Germany

Dimensions [mm]



Order data

Part No.	Designation
3203-00090-XX	Pushbutton
3203-00092-XX	Rocker switch
3203-00134-XX	Latched rocker

X Colour X Symbol

Different types with different symbols and colours are available on request

Different types of contact materials available: AUX, AG, GP