

DITEGO COMBI TRACTION SWITCH

The unique DITEGOcombi traction switch combines all the main tiller head functions in one unit: Besides the typical traction switch functions (travel speed and travel direction), it also includes the horn button and the body protection switch as well as digital lifting/lowering. The DITEGO is used in the TEMO RIDER tiller head and also lends itself to customer-specific tiller head solutions.

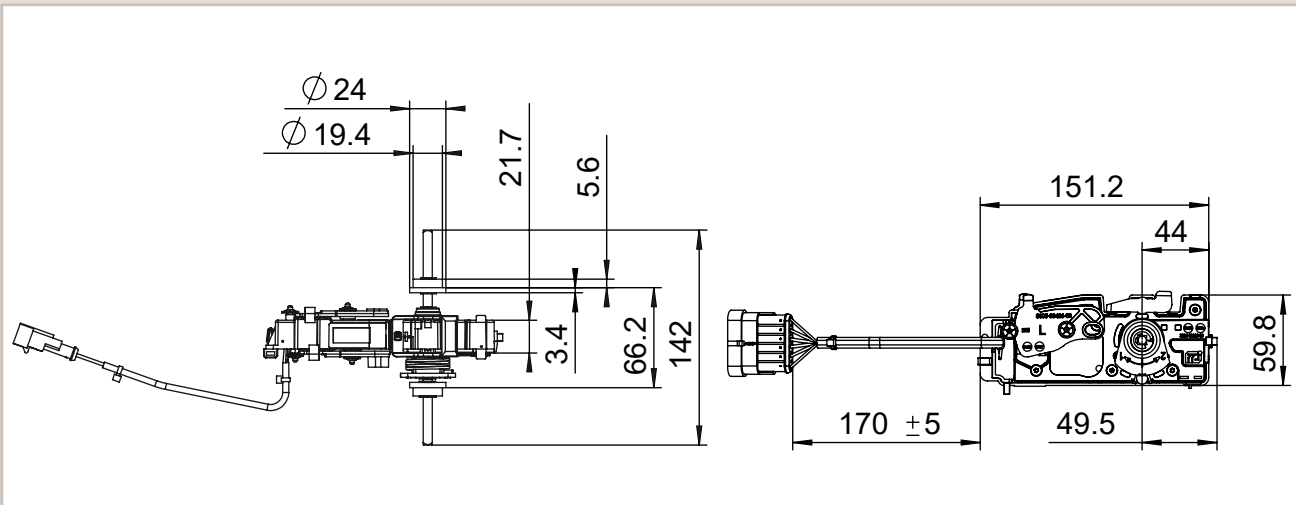
- Integration of the tiller head functions travel, horn, lifting/lowering and body protection switch
- Non-contacting Hall-effect technology for all functions
- CANopen interface
- 6 mm square shaft; the shaft length can be specified by the customer
- Protection class: IP 68
- Ideal for the design of customer-specific tiller heads

Traction switch



www.frei.de

Dimensions [mm]



Technical data

Technology Contactless via Hall sensors

Mechanical data

Dimensions See technical drawing
 Mechanical angle of rotation $\pm 45^\circ$
 Actuation Square axle of size 6 x 6 mm
 Cable and plug-in connector AMP Superseal 6-pos.,
 1.5 Series (282108-01)

Electrical data

Voltage supply (U_b) +9 V ... +40 VDC
 Power consumption 50 mA
 Interface / protocol CAN / CANopen

Operating conditions

Operating temperature range $-30^\circ\text{C} \dots +63^\circ\text{C}$
 Max. actuation force 12 Nm
 Service life
 Emergency reverse button 1 million cycles
 Throttle axis 2 million cycles
 Raise / lower 1 million cycles
 Horn 1 million cycles
 Vibration test / shock DIN EN 60068-2-6/27/29
 EMC DIN EN 12895
 Protection class according to EN 60529 IP 68

Versions

Customer-specific modifications are possible with an appropriate purchase

Order data

Part No.	Designation
3203-00493-XX	The DITEGO traction switch is configured in a customer-specific manner

Connector pin assignment

PIN number	Role
PIN 1	VBAT
PIN 2	GND
PIN 3	CAN high
PIN 4	CAN low
PIN 5	NC
PIN 6	NC