



## DC UPS COMPETENT-COSMO 27 V / 2.2 A

Includes power supply, battery charger and DC UPS module

- Wide range input 95 – 265 VAC / 45 – 63 Hz
- Adjustable output voltage
- Adjustable charging rate
- Load depending low voltage disconnection
- Integrated battery test
- Safety according VDE 0805 / EN 60950 / IEC 950
- Emission according to EN 55022 class B
- CE-Standard according to EN 61000-4-2, 3, 4, 5, EN 610003-2A
- Compact housing, DIN rail mounted
- Monitoring output signals
- Ta 45° C (ideal for battery 25° C)
- Screw clamps type terminal
- Weight ca. 0.7 kg

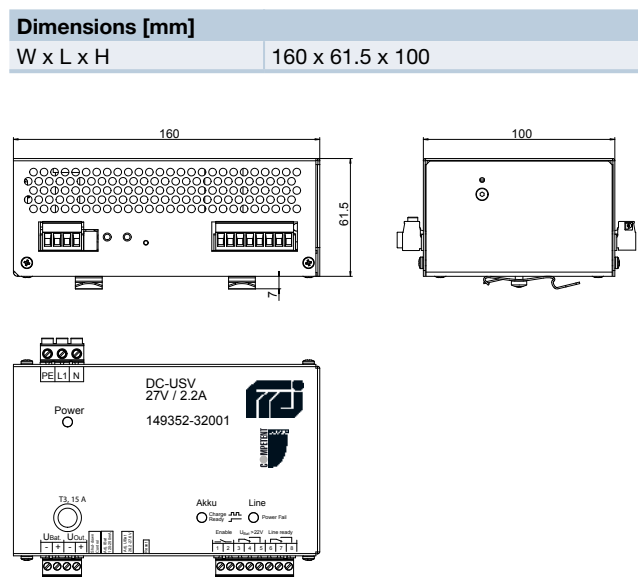
## DC UPS COMPETENT-COSMO 27 V / 2.2 A

Includes power supply, battery charger and DC UPS module

- Wide range input 95 – 265 VAC / 45 – 63 Hz
- Adjustable output voltage
- Adjustable charging rate
- Load depending low voltage disconnection
- Integrated battery test
- Safety according VDE 0805 / EN 60950 / IEC 950
- Emission according to EN 55022 class B
- CE-Standard according to EN 61000-4-2, 3, 4, 5, EN 610003-2A
- Compact housing DIN rail mounted
- Monitoring output signals
- Ta 45° C (ideal for battery 25° C)
- Screw clamps type terminal
- Weight ca. 0.7 kg



| Technical data             |   |
|----------------------------|---|
| <b>Input</b>               |   |
| Nominal voltage            | 115 / 230 VAC, 45 – 63 Hz                     |
| Input voltage range        | 95 VAC – 265 VAC                              |
| Input current              | Max. 0.6 A                                    |
| Safety regulations         | VDE 0805 / EN 60950 / IEC 60950               |
| Protective system          | Class 1                                       |
| IP Code                    | IP 20   |
| <b>Output</b>              |   |
| Output voltage during      | 26.2 VDC – 27.6 VDC ±1 %                      |
| Max. output current        | 2.2 A (total current load + charging current) |
| Current limitation battery | 2.2 A Hicc up                                 |
| Battery circuit test       | 120 – 350 mA adjustable                       |
| Battery circuit test       | Period 10 sec / duration 150 msec             |
| Efficiency                 | Typ. 88 %                                     |
| Temperature range          | 0° C – 45° C with free convection             |



| Ordering data |  |
|---------------|--|
| Part no.      | Ordering text                              |
| 149352-32001  | DC UPS module COMPETENT-COSMO 27 V / 2.2 A |